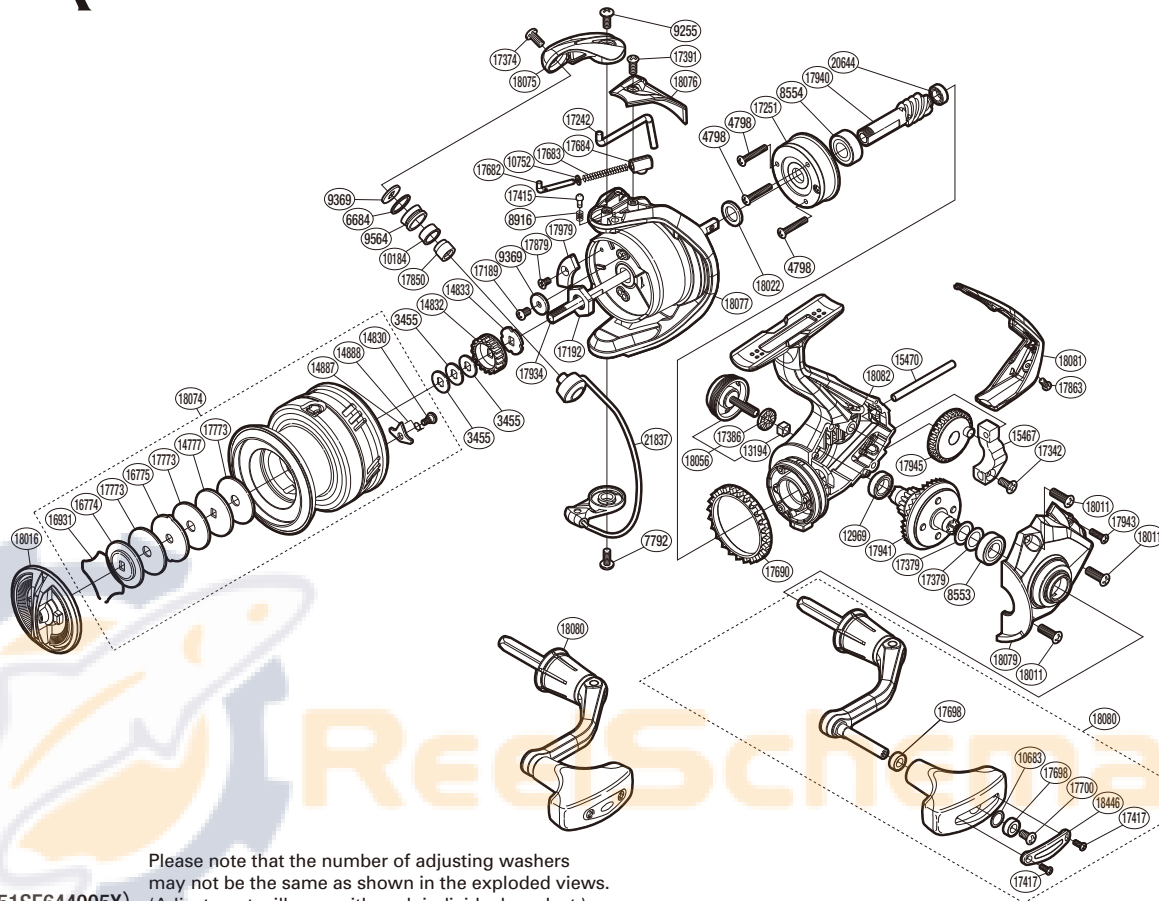


# SHIMANO

## SAHARA

SH-4000FI



Please note that the number of adjusting washers may not be the same as shown in the exploded views. (51SE644005X) (Adjustment will vary with each individual product.)

| Part No. | Description                 | Part No. | Description             | Part No. | Description            |
|----------|-----------------------------|----------|-------------------------|----------|------------------------|
| RD 3455  | Spool Washer                | RD16774  | Key Washer              | RD17879  | Screw                  |
| RD 4798  | Screw                       | RD16775  | Eared Washer            | RD17934  | Main Shaft             |
| RD 6684  | Line Roller Spacer          | RD16931  | Drag Washers Retainer   | RD17940  | Pinion Gear            |
| RD 7792  | Screw                       | RD17189  | Screw                   | RD17941  | Drive Gear             |
| RD 8553  | Ball Bearing                | RD17192  | Rotor Nut               | RD17943  | Screw                  |
| RD 8554  | Ball Bearing                | RD17242  | Bail Trip Lever         | RD17945  | Oscillating Gear       |
| RD 8916  | Click Spring                | RD17251  | Roller Clutch Assembly  | RD17979  | Counter Weight A       |
| RD 9255  | Screw                       | RD17342  | Screw                   | RD18011  | Screw                  |
| RD 9369  | Washer                      | RD17374  | Screw                   | RD18016  | Drag Knob              |
| RD 9564  | Line Roller                 | RD17379  | Washer                  | RD18022  | Washer                 |
| RD10184  | Line Roller Bushing         | RD17386  | Handle Screw Cap Spacer | RD18056  | Handle Screw Cap       |
| RD10683  | Washer                      | RD17391  | Screw                   | RD18074  | Spool Assembly         |
| RD10752  | Bail Spring Guide A Support | RD17415  | Click Pin               | RD18075  | Bail Arm               |
| RD12969  | Ball Bearing                | RD17417  | Screw                   | RD18076  | Bail Spring Cover      |
| RD13194  | Handle Screw Lock           | RD17682  | Bail Spring Guide A     | RD18077  | Rotor                  |
| RD14777  | Key Washer                  | RD17683  | Bail Spring             | RD18079  | Side Cover             |
| RD14830  | Screw                       | RD17684  | Bail Spring Seat        | RD18080  | Handle Assembly        |
| RD14832  | Spool Support A             | RD17690  | Friction Ring           | RD18081  | Rear Protector         |
| RD14833  | Spool Support B             | RD17698  | Handle Knob Bushing     | RD18082  | Body                   |
| RD14887  | Drag Click                  | RD17700  | Screw                   | RD18446  | Handle Knob I.D. Plate |
| RD14888  | Click Spring                | RD17773  | Drag Washer             | RD20644  | Ball Bearing           |
| RD15467  | Oscillating Slider          | RD17850  | Line Roller Collar      | RD21837  | Bail Assembly          |
| RD15470  | Oscillating Guide           | RD17863  | Screw                   |          |                        |